

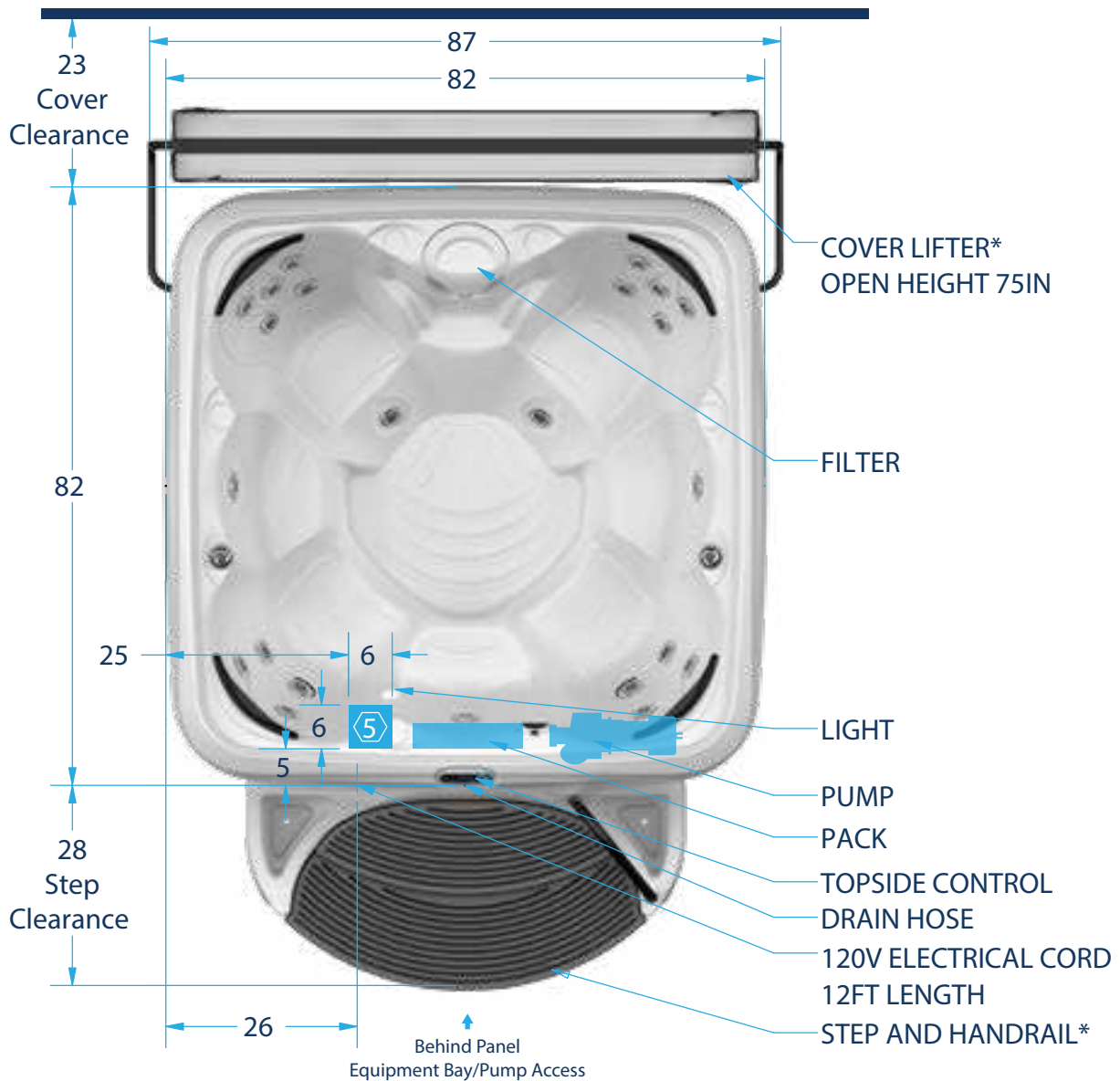
# Comfort 2300<sup>S</sup>

COLLECTION & SUITES



## Pre-Install Reference

1. Recommended minimum 18" clearance all around spa, unless otherwise specified.
2. If equipped, ozonator is located behind panel on the pump side.
3. Drain valve located behind panel on the pump side
4. ⑤ Indicates recommended electrical pass-through area for permanent wiring of 240v if converted. See routing & electrical suggestions.
5. See owners manual for complete locating , electrical and safety instructions.
6. Deck load: 160 psf
7. \*Cover lifter and step are part of suite package, available at time of spa purchase only.



\*\* Products and specifications may vary or change without notice.  
 \*\*\* Specifications subject to change. Dimensions vary +/- .5"  
 \*\*\*\* The heater can be converted from 120V 1kW to 240V 4kW with the installation of a 40amp 240V electrical service by a certified electrician.